

# SCALE-EFFECT EXPERIMENTS ON VICTORY SHIPS AND MODELS

## PART II.

ANALYSIS OF THE WAKE MEASUREMENTS ON A MODEL FAMILY AND THE MODEL BOAT *D. C. Endert Jr.*

by

Dr. Ir. J. D. VAN MANEN and Ir. A. J. W. LAP

Vol. 5 - July 1958 - No. 47 - page 303

## ERRATUM

In Fig. 3 erroneously the arrangement is shown for the wake measurements with the working screw present behind the model boat. The measurements

were taken, however, during resistance tests where the arrangement was the same, except for the screw that was replaced by a dummy hub.

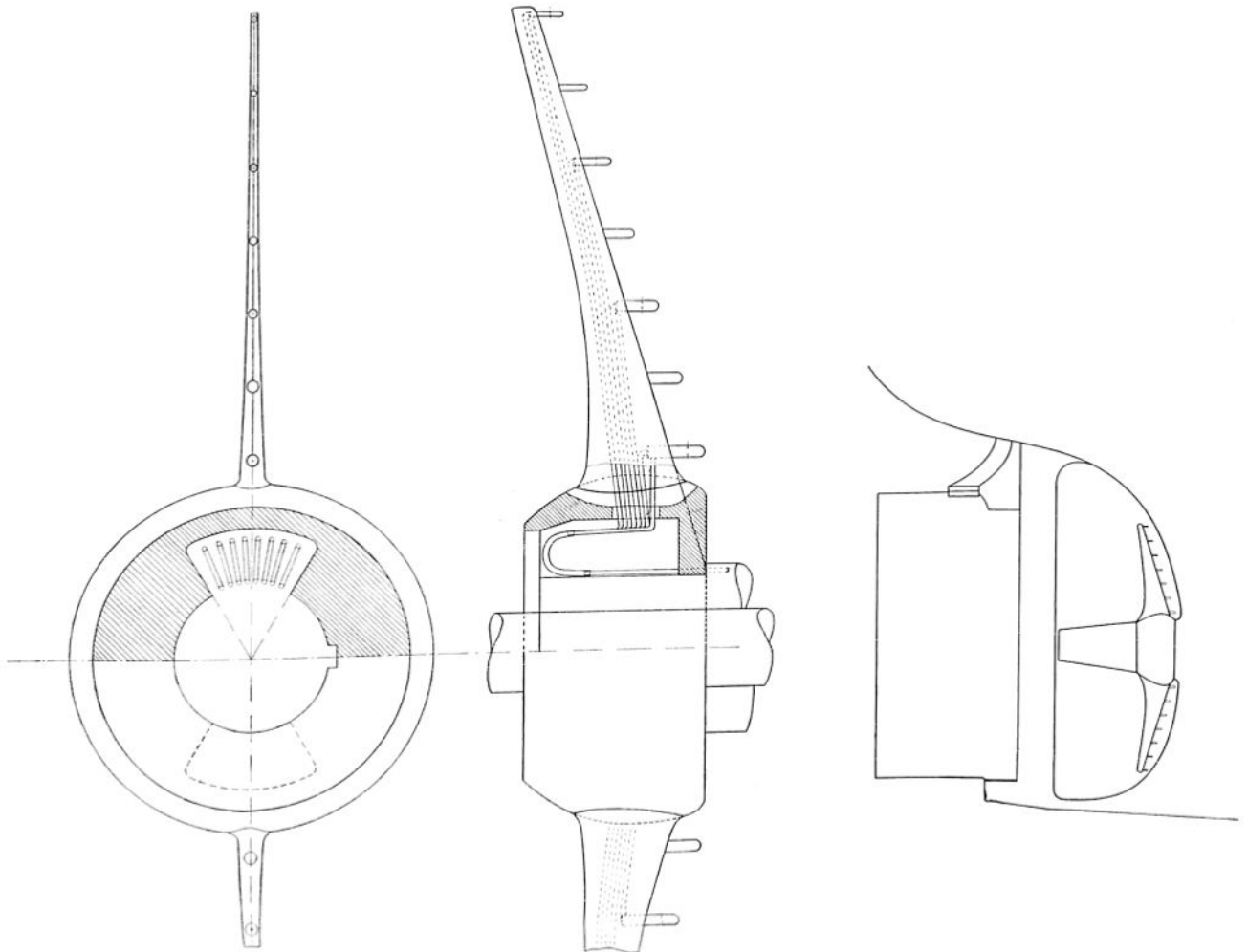


Fig. 3. Pitot tube arrangement on the model boat "D.C. Endert Jr."